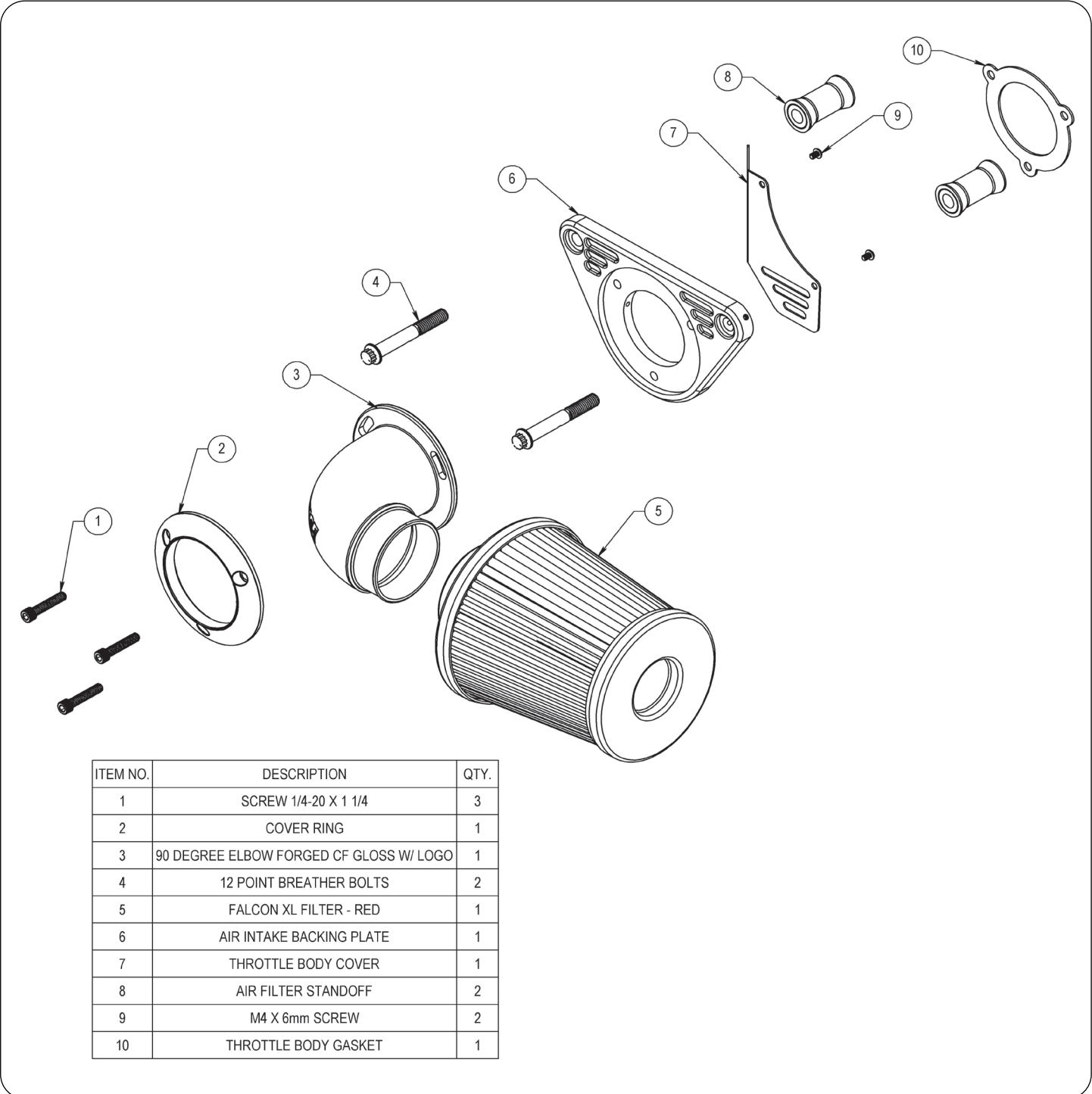




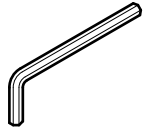
INSTALLATION INSTRUCTIONS: HARLEY-DAVIDSON 2008-2016 TOURING FALCON XL AIR INTAKE PART# 41123

Congratulations, you have purchased the finest air intake available for your motorcycle. Your Vance & Hines air intake is designed and crafted for performance, quality and style. Please follow the instructions below, check air intake kit for missing or damaged parts and if you need any assistance please contact our technical support line (562) 921-7461.

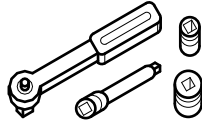


ITEM NO.	DESCRIPTION	QTY.
1	SCREW 1/4-20 X 1 1/4	3
2	COVER RING	1
3	90 DEGREE ELBOW FORGED CF GLOSS W/ LOGO	1
4	12 POINT BREATHER BOLTS	2
5	FALCON XL FILTER - RED	1
6	AIR INTAKE BACKING PLATE	1
7	THROTTLE BODY COVER	1
8	AIR FILTER STANDOFF	2
9	M4 X 6mm SCREW	2
10	THROTTLE BODY GASKET	1

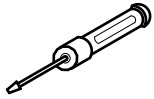
TOOLS REQUIRED



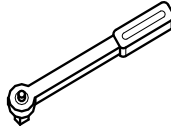
T27 Torx Wrench
3/16" Allen,
5/16" Allen



1/4" or 3/8" Drive Ratchet
7/16", 7mm Hex Socket and
3/8" 12 Point Socket



Phillips Screwdriver
5/16" Nut Driver



Inch-Pound Torque
Wrench

Loctite 243 (blue)

DEM SYSTEM REMOVAL

1. Take off the OE air filter cover by removing the 5/16" x 1/2" OE button head cap screw in the. On some models the cap screw may be covered by a vanity cover. Carefully pull this cover off that is held on by velcro.
2. This will expose the filter element, which is then removed by taking out the three Torx head cap screws.
3. Remove the breather hoses from the cylinder head breather bolts by gently pulling on them.
4. Remove the backing plate and gasket or o-ring by unbolting the cylinder head breather bolts. Be sure that the surface is clean and dry.
5. Finally remove the throttle body bracket by unbolting the two 1/4"-20 cap screws that attach it to the throttle body.

V&H AIR INTAKE INSTALLATION

1. For a clear understanding of this installation, it is best to refer to the exploded view diagram while reading these instructions.
2. When installing or servicing the air cleaner, apply Loctite 243 (blue) to threads of all fasteners.
3. Sandwich throttle body gasket (10) between the air intake spacer (6) and the throttle body using 12-point breather bolts (4) and standoffs (8). Fully tighten 12-point breather bolts. (See Fig. 1)

NOTE: Standoffs are symmetrical and can be installed in either direction. Use the 1/4"-20x1-1/4" bolts to properly align throttle body gasket.

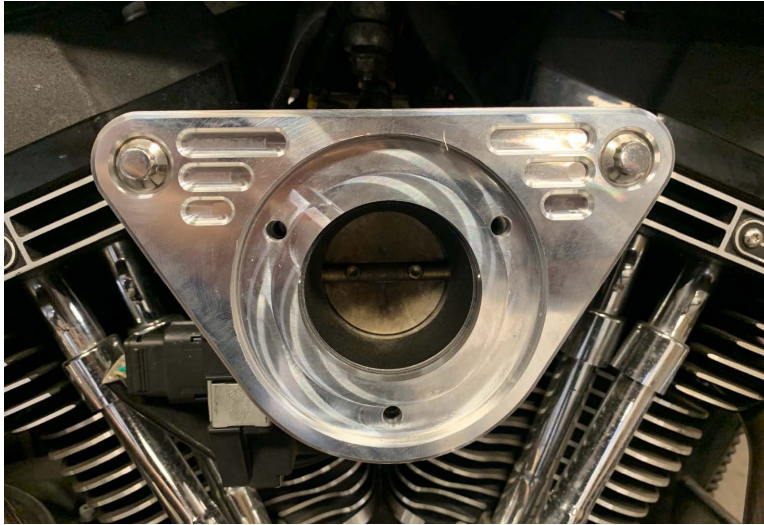


FIGURE 1

4. Slide cover ring (2) on to the 90 degree tube (3). Then use the three 1/4-20 x 1 1/4" (1) screws to mount the cover ring (2) and the 90 degree tube (3) and the air intake spacer (6) to the throttle body. Tighten the screws while aligning the 90 degree tube (3) parallel with the ground. (See Fig. 2)



FIGURE 2

5. Install air filter (5) on to the 90 degree tube. Clock the air filter (5) as shown in Figure 3 with metal band towards inside of bike. Tighten hose clamp until the air filter (5) is secure from sliding off the 90 degree tube (3). Do not overtighten.



FIGURE 3

Emissions Notice:

In California, in order to meet Air Resources Board emissions requirements, certain aftermarket part applications have been identified as replacements, and others have received ARB Executive Orders. All other emissions related aftermarket parts are for competition use only. A list of replacement parts and EO parts, and corresponding fitment is provided at vanceandhines.com/california.

Warranty:

All Vance & Hines products are warranted against defects in material and workmanship for a period of 90 days. This warranty does not cover discoloration or rust. This warranty shall be limited to the repair or replacement of the product, which may be proven defective under normal use. Vance & Hines will not warranty any system that has been abused, misused, improperly installed or modified.

Dealers or distributors are not authorized to make dispositions binding upon Vance & Hines. Vance & Hines will not be responsible for any labor charges incurred in removing or replacing any system under warranty. A return authorization number and a copy of the original purchase invoice must accompany all returns. Parts returned without a return authorization may be refused.



Connect. Tune. Ride.

From the team that brought you The Fuelpak FP3, the best-selling ECU tuner in the world for Harley-Davidson motorcycles, the Vance & Hines FP4 is the most intuitive tuning tool on the market, giving you the power to control your motorcycle's tune and offers the best-in-industry support from our FP4 technicians, all from your smartphone.

- Download and Flash Maps
- Live Data Viewing
- Autotune Feature for Map Customization

Visit vanceandhines.com to learn more about FP4.

Qualified Manufacturer Declared 49-state Federal Emissions Compliant Part.



13861 ROSECRANS AVENUE / SANTA FE SPRINGS, CA 90670

SALES: (562) 921-5388
TECHNICAL: (562) 926-5291
FAX: (562) 802-0110

vanceandhines
.com